

CUSTOMER Front line services - Face Shield
CONTRACTOR GORDANO SUPPORT GROUP

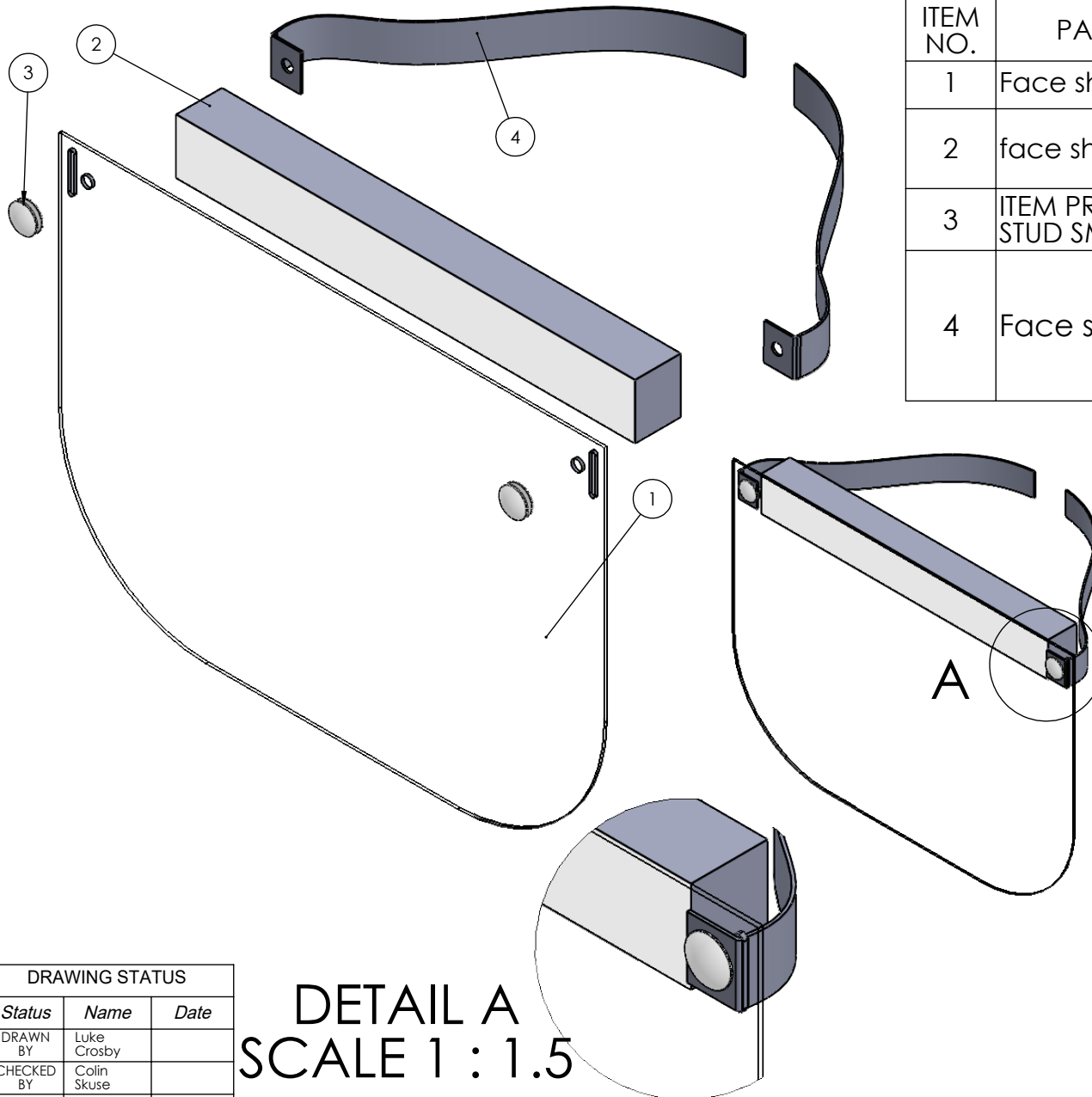
TITLE Face shield
PART No. n/a
NSN No. n/a

SERVICE DWG
n/a

DRAWING NUMBER:
Face shield

SHEET
1 OF 3

ITEM NO.	PART NUMBER	DESCRIPTION	QTY.
1	Face shield plastic	1.5mm PETG PLASTIC	1
2	face shield foam	SELF ADHESIVE POLYURETHANE	1
3	ITEM PRODUCT EURO STUD SML	PUSH FIT PLASTIC STUD	2
4	Face shield velcro	BACK TO BACK MICRO HOOK AND VELOUR LOOP VELCRO HEAD BAND	2



MANUFACTURING METHOD:

- LASER CUT / CNC FACE SHIELD PLASTIC
- CUT FOAM TO SIZE
- CUT VELCRO TO LENGTH AND HOLE PUNCH ONE END X2
- THREAD STRAP THROUGH SLOT LINING UP THE HOLE IN THE STRAP WITH THE HOLE IN THE SHIELD.
- INSERT STUD THROUGH STRAP AND SHIELD THEN FIT BACKING OF STUD TO SECURE
- PEEL OFF SELF ADHESIVE BACKING FROM FOAM AND APPLY CENTRALLY ALONG THE TOP EDGE.

DRAWING STATUS		
Status	Name	Date
DRAWN BY	Luke Crosby	
CHECKED BY	Colin Skuse	
APPROVED BY	Colin Skuse	
ACCEPTED BY	Colin Skuse	

DETAIL A
SCALE 1 : 1.5



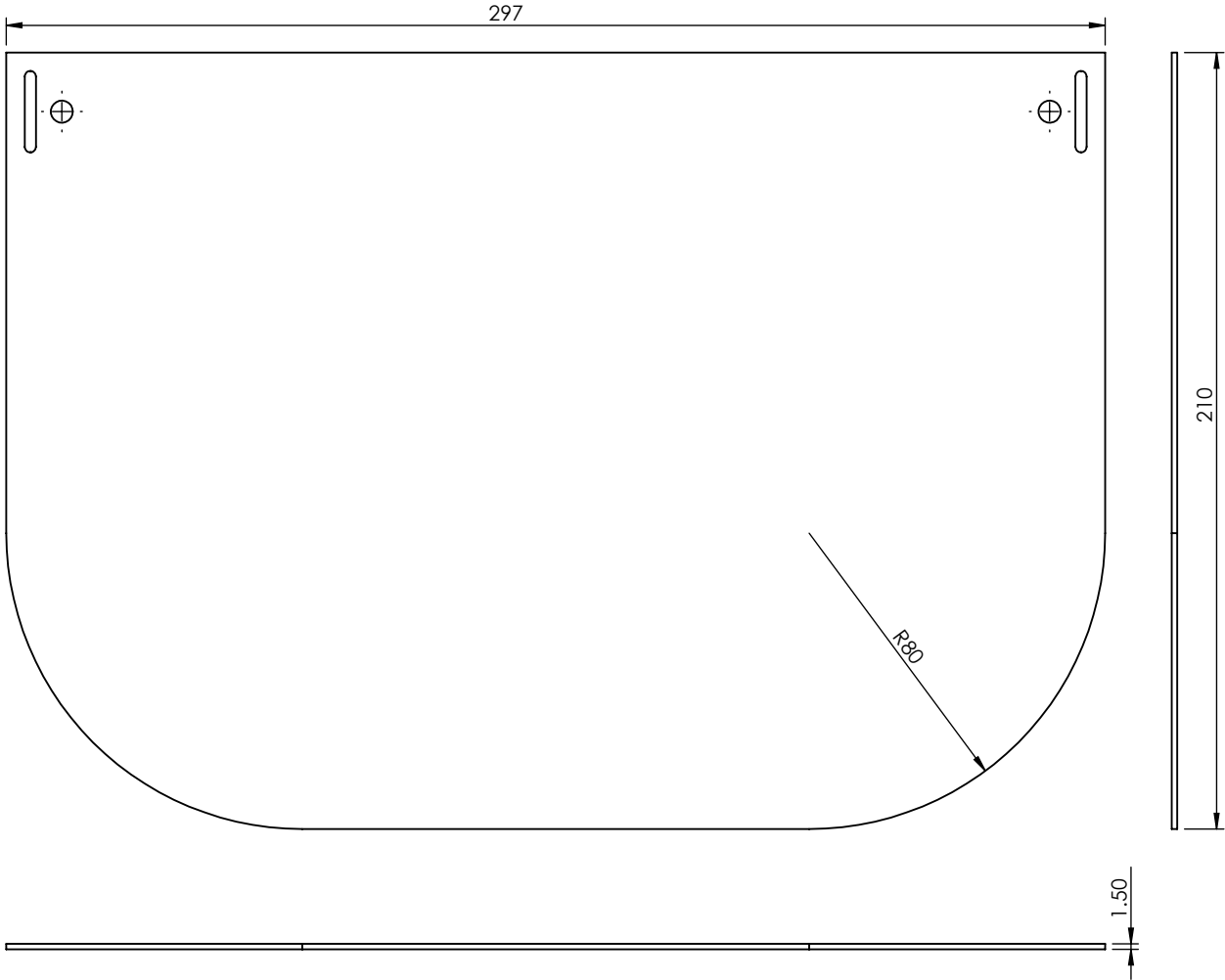
THIS DRAWING IS COPYRIGHT AND IS ISSUED ON THE STRICT UNDERSTANDING THAT IT IS NOT REPRODUCED, COPIED OR DISCLOSED TO A THRID PARTY WITHOUT THE CONSENT IN WRITING OF GORDANO SUPPORT GROUP.
 DWG BORDER: **FORM 198 ISSUE 1**
 Tel: 01275 349888
 www.gordanosupport.com

DIMENSIONS ARE IN MM UNLESS OTHERWISE STATED
 UNTOLERANCED DIMENSIONS } +1.0
 -1.0

SECURITY CLASSIFICATION
RESTRICTED

AMENDMENT		
ISSUE	DATE	CHANGE DESCRIPTION
004		
003		
002		
001		

A	B		C		D	E		F	G	H		I	J
THIRD ANGLE PROJECTION	CUSTOMER Front line services - Face Shield				TITLE Face shield			SERVICE DWG n/a		DRAWING NUMBER:		SHEET	
CONTRACTOR GORDANO SUPPORT GROUP					PART No. n/a					Face shield		2 OF 3	
					NSN No. n/a								



PETG PLASTIC FACE SHIELD
1.5mm THICK

DRAWING STATUS		
Status	Name	Date
DRAWN BY	Luke Crosby	
CHECKED BY	Colin Skuse	
APPROVED BY	Colin Skuse	
ACCEPTED BY	Colin Skuse	



THIS DRAWING IS COPYRIGHT AND IS ISSUED ON THE STRICT UNDERSTANDING THAT IT IS NOT REPRODUCED, COPIED OR DISCLOSED TO A THRID PARTY WITHOUT THE CONSENT IN WRITING OF GORDANO SUPPORT GROUP.
 DWG BORDER: **FORM 198 ISSUE 1**
 Tel: 01275 349888
 www.gordanosupport.com

DIMENSIONS ARE IN MM UNLESS OTHERWISE STATED
 UNTOLERANCED DIMENSIONS } +1.0
 } -1.0

SECURITY CLASSIFICATION
RESTRICTED

AMENDMENT		
ISSUE	DATE	CHANGE DESCRIPTION
004		
003		
002		
001		



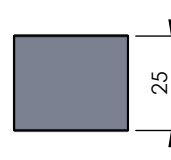
CUSTOMER Front line services - Face Shield
CONTRACTOR GORDANO SUPPORT GROUP

TITLE Face shield
PART No. n/a
NSN No. n/a

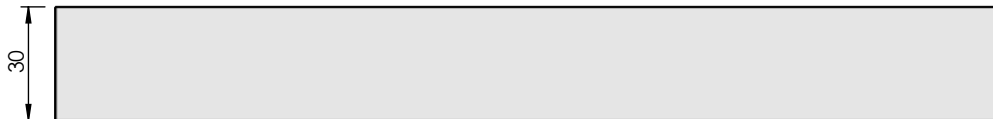
SERVICE DWG
n/a

DRAWING NUMBER:
Face shield

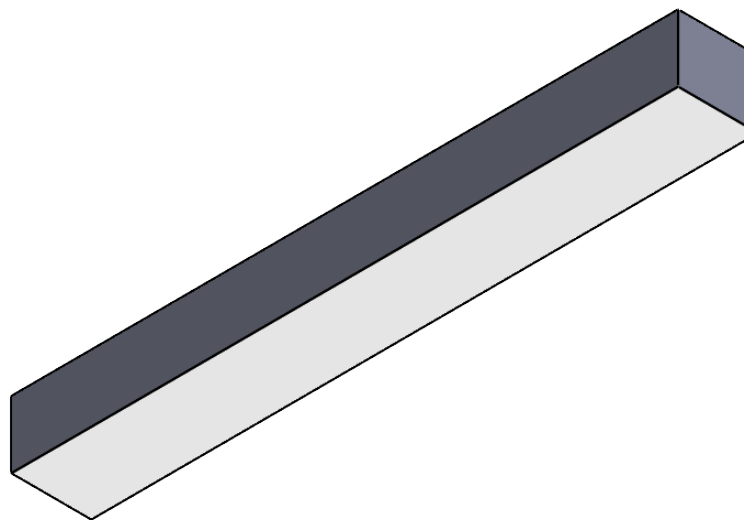
SHEET
3 OF 3



FORHEAD FOAM STRIP
POLYURETHANE



ONE SIDE SELF ADHESIVE



DRAWING STATUS

Status	Name	Date
DRAWN BY	Luke Crosby	
CHECKED BY	Colin Skuse	
APPROVED BY	Colin Skuse	
ACCEPTED BY	Colin Skuse	

AMENDMENT

ISSUE	DATE	CHANGE DESCRIPTION
004		
003		
002		
001		



THIS DRAWING IS COPYRIGHT AND IS ISSUED ON THE STRICT UNDERSTANDING THAT IT IS NOT REPRODUCED, COPIED OR DISCLOSED TO A THRID PARTY WITHOUT THE CONSENT IN WRITING OF GORDANO SUPPORT GROUP.
DWG BORDER: **FORM 198 ISSUE 1**
Tel: 01275 349888
www.gordanosupport.com

DIMENSIONS ARE IN MM
UNLESS OTHERWISE STATED
UNTOLERANCED DIMENSIONS } +1.0
-1.0

SECURITY CLASSIFICATION
RESTRICTED